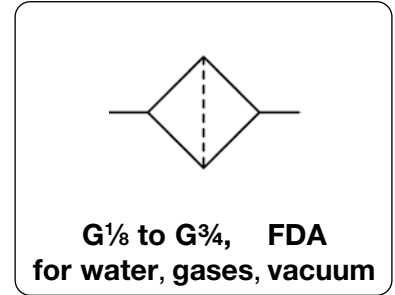
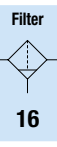


<b>Description</b>	Filter made of plastic for compressed air, vacuum, non-corrosive gases or liquids. The flow on the filter elements passes from outside to inside. They are largely corrosion-resistant and feature excellent chemical stability. Exposure of the filters to direct sunlight must be avoided. Optionally available with EPDM elastomers approved by the FDA.		
<b>Filter element</b>	5 µm, 35 µm and 80 µm made of PE, 50 µm, 100 µm and 300 µm made of stainless steel		
<b>Bowl</b>	made of transparent Grilamid TR55, three different sizes, screwable, without drain		
<b>Drainage</b>	without drain, as no water separation occurs with compressed air		
<b>Operating pressure</b>	max. 10 bar at 24 °C / 75 °F	<b>Differential pressure</b>	max. 0.7 bar
<b>Temperature range</b>	5 °C to 52 °C / 41 °F to 125 °F		
<b>Cleaning</b>	with lukewarm water and standard rinsing agent		
<b>Material</b>	Body: polypropylene GFV 20% Bowl: Grilamid TR55, transparent	Filter element: polyethylene, optionally stainless steel Elastomer: NBR/Buna-N, optionally FKM or EPDM (FDA)	



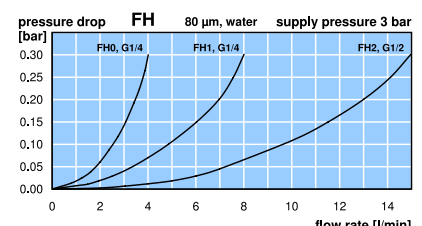
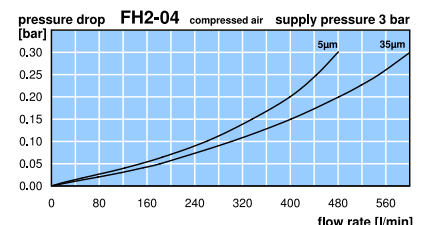
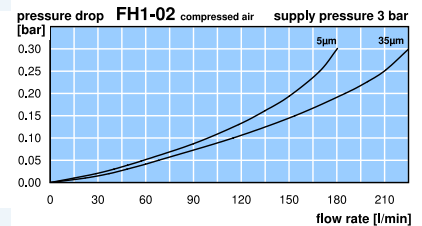
Dimensions			Bowl Capacity	Flow rate		Filter element	Connection thread	Order number
A	B	C	l	Water l/min*1	Air l/min*1	µm	G	

Plastic filter			operating pressure differential pressure max. 10 bar max. 0.7 bar	max. 10 bar max. 0.7 bar		NBR/Buna-N o-ring polyamide, polypropylene	FH
58	93	83	0.06	6	140	5	G <sup>1</sup> / <sub>8</sub> FH1-01G FH1-01J FH1-01L
					180	35	
					200	80	
74	95	85	0.06	8	180	5	G <sup>1</sup> / <sub>4</sub> FH1-02G FH1-02J FH1-02L
					230	35	
					300	80	
74	99	87	0.06	10	220	5	G <sup>3</sup> / <sub>8</sub> FH1-03G FH1-03J FH1-03L
					280	35	
					300	80	
75	103	89	0.06	12	260	5	G <sup>1</sup> / <sub>2</sub> FH1-04G FH1-04J FH1-04L
					330	35	
					350	80	
90	124	112	0.17	14	400	5	G <sup>3</sup> / <sub>8</sub> FH2-03G FH2-03J FH2-03L
					500	35	
					520	80	
90	128	113	0.17	16	480	5	G <sup>1</sup> / <sub>2</sub> FH2-04G FH2-04J FH2-04L
					600	35	
					620	80	
90	133	116	0.17	18	560	5	G <sup>3</sup> / <sub>4</sub> FH2-06G FH2-06J FH2-06L
					700	35	
					720	80	



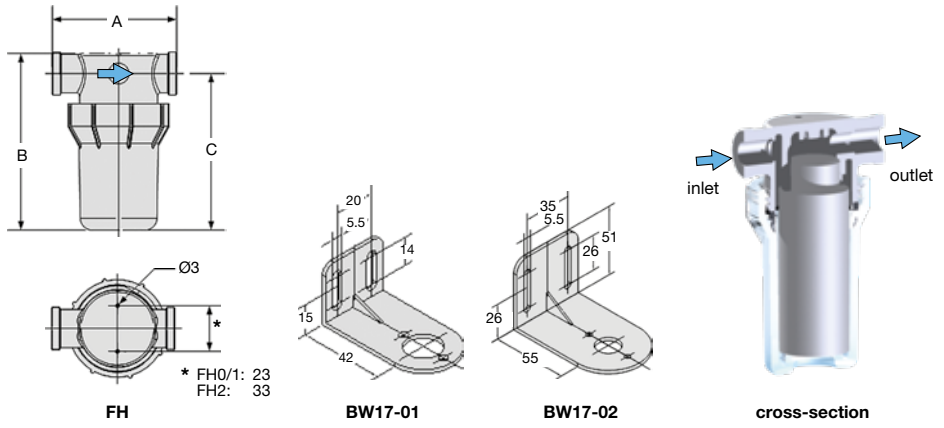
**Special options, add the appropriate letter**

<b>with short bowl *2</b>	shorter filter element,	4 l/min water	FH1 only	FH0-...
<b>SST filter element</b>	metallic tissue 50 µm S;	100 µm T;	300 µm	FH0-...U FH1-...U FH2-...U FH...E FH...V
<b>EPDM elastomer</b>	FDA approved			
<b>FKM elastomer</b>				



**Accessories, enclosed**

<b>mounting bracket</b>	made of plastic	for FH0 and FH1 for FH2	<b>BW17-01</b> <b>BW17-02</b>
-------------------------	-----------------	----------------------------	----------------------------------



\*1 at 3 bar operating pressure and 0.3 bar pressure drop  
\*2 flow reduced by 35%, height shortened by 35 mm, bowl capacity 0.014 l

**Spare parts: see separate spare parts list** [www.aircom.net](http://www.aircom.net)

**Order example: FH1-01G**